

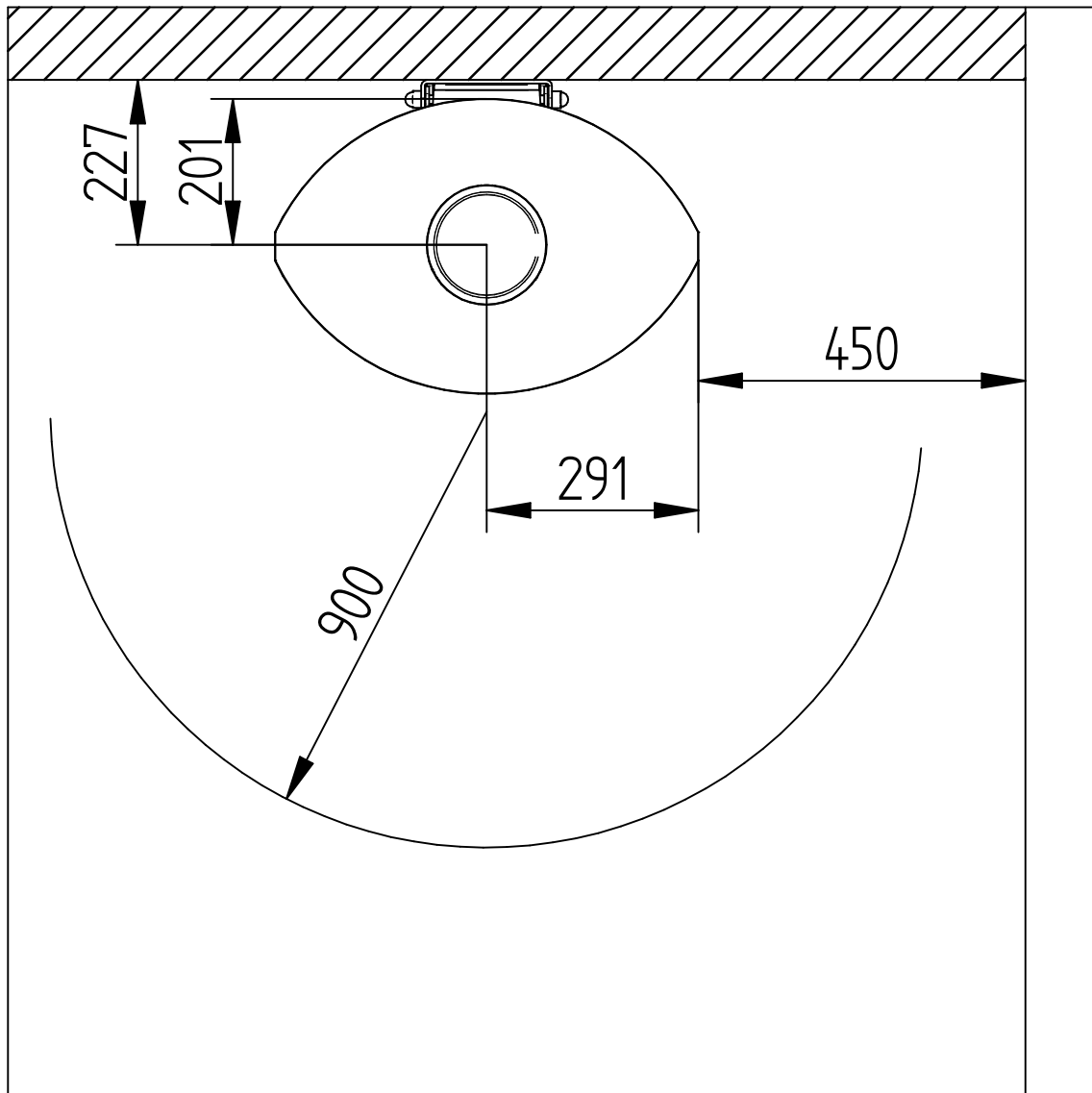
Modell:

Elegance wall

Sheet/Sheets: 1 of 3

Date: 26/03-2019

Distance to combustible with insulated flues



Not combustible wall

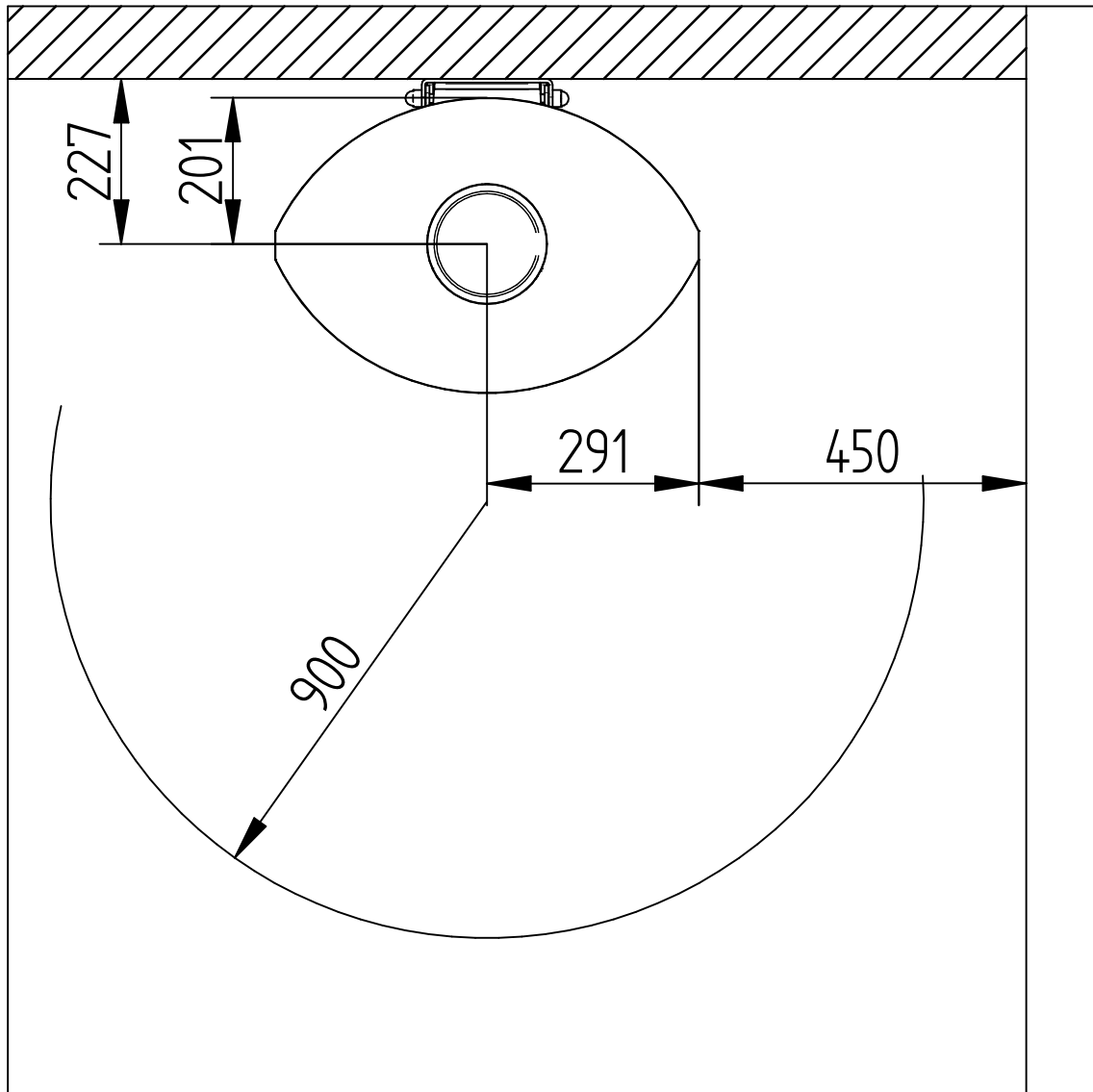
Modell:

Elegance wall

Sheet/Sheets: 2 of 3

Date: 26/03-2019

Distance to combustibile without insulated flues



Not combustibile wall

Modell:

Elegance wall

Sheet/Sheets: 3 of 3

Date: 26/03-2019

